

Polara™ LED Puck Light



Polara LED Puck Lights provide bright, high quality light output for close spaces such as cabinets, shelves, and cases. The Polara Puck is a compact, durable fixture with a brushed aluminum finish, and features a diffuser cover for smooth, dimmable lighting. This puck has the added feature of two installation options, surface mount or recessed, so it can be integrated into any installation.



| | |
|-----------------------------------|----------------------------------|
| Dimensions (dia. x height) | 2.73 x 0.48 inches |
| Material | Aluminum |
| Power Consumption | 3W |
| Input Voltage | 12V DC |
| LED Quantity | 24 |
| LED Type | 3014 |
| Beam Angle | 120° |
| Lead Wire | 36 in. w/female DC plug |
| Operating Temperature | -4°F to 104°F, relative humidity |
| Certifications | ETL, RoHS, CE |
| Warranty | 3 years |

| Item # | Kelvin temp. (CCT) * | Lumens | CRI | Finish |
|------------------|----------------------|--------|-----|----------|
| AL-04-01-1201-WH | 2700K | 152 | 95 | white |
| AL-04-01-1202-AL | 2700K | 152 | 95 | aluminum |
| AL-04-01-1203-BL | 2700K | 152 | 95 | black |
| AL-04-01-1211-WH | 3000K | 164 | 95 | white |
| AL-04-01-1212-AL | 3000K | 164 | 95 | aluminum |
| AL-04-01-1213-BL | 3000K | 164 | 95 | black |
| AL-04-01-1231-WH | 5000K | 194 | 95 | white |
| AL-04-01-1232-AL | 5000K | 194 | 95 | aluminum |
| AL-04-01-1233-BL | 5000K | 194 | 95 | black |

Installation

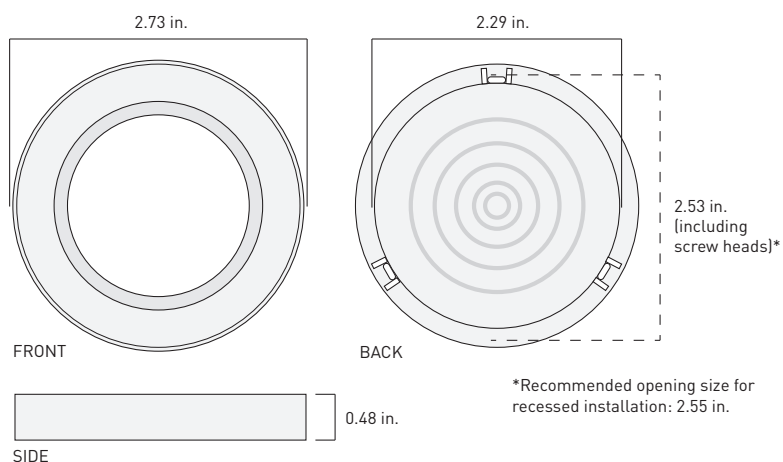
Surface Mounting

1. Remove mounting ring from puck.
2. Thread the puck cable through the ring and seat it in the ring's notch.
3. Secure the mounting ring to the surface with the included screws.
4. Snap the puck into the mounting ring.

Recessed mounting

1. Cut a 2.55 in. opening where the puck will be installed. This size opening leaves room for the heads of the screws that hold the puck's flanges.
2. Thread the cable into the opening and snap the puck into place.

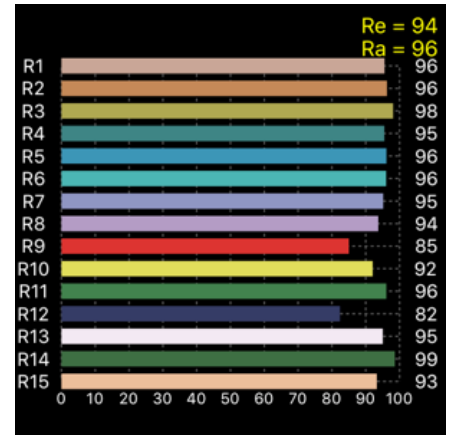
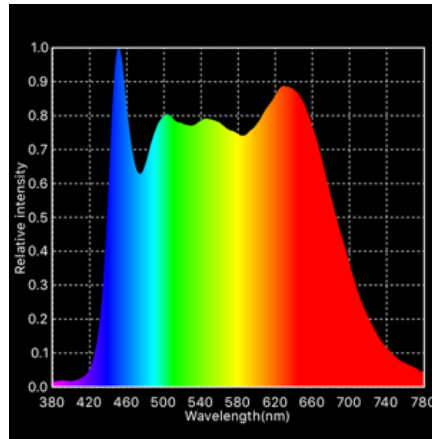
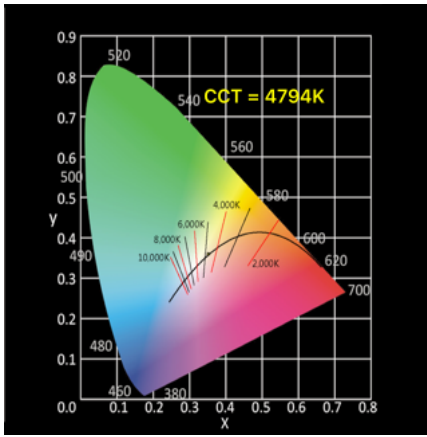
Dimensions



Safety & Tips

- **DO NOT CONNECT LED PUCK LIGHTS DIRECTLY TO 120V AC POWER.**
- This fixture should be powered only by a Class 2, UL Listed 12V DC power supply.
- Do not overload the 12V DC power supply. Overloading the power supply may cause shorting, overheating, and possibly fire.
- Do not expose this fixture to direct moisture.
- Do not cut or otherwise alter the DC plug attached to this fixture.

2700K



5000K

